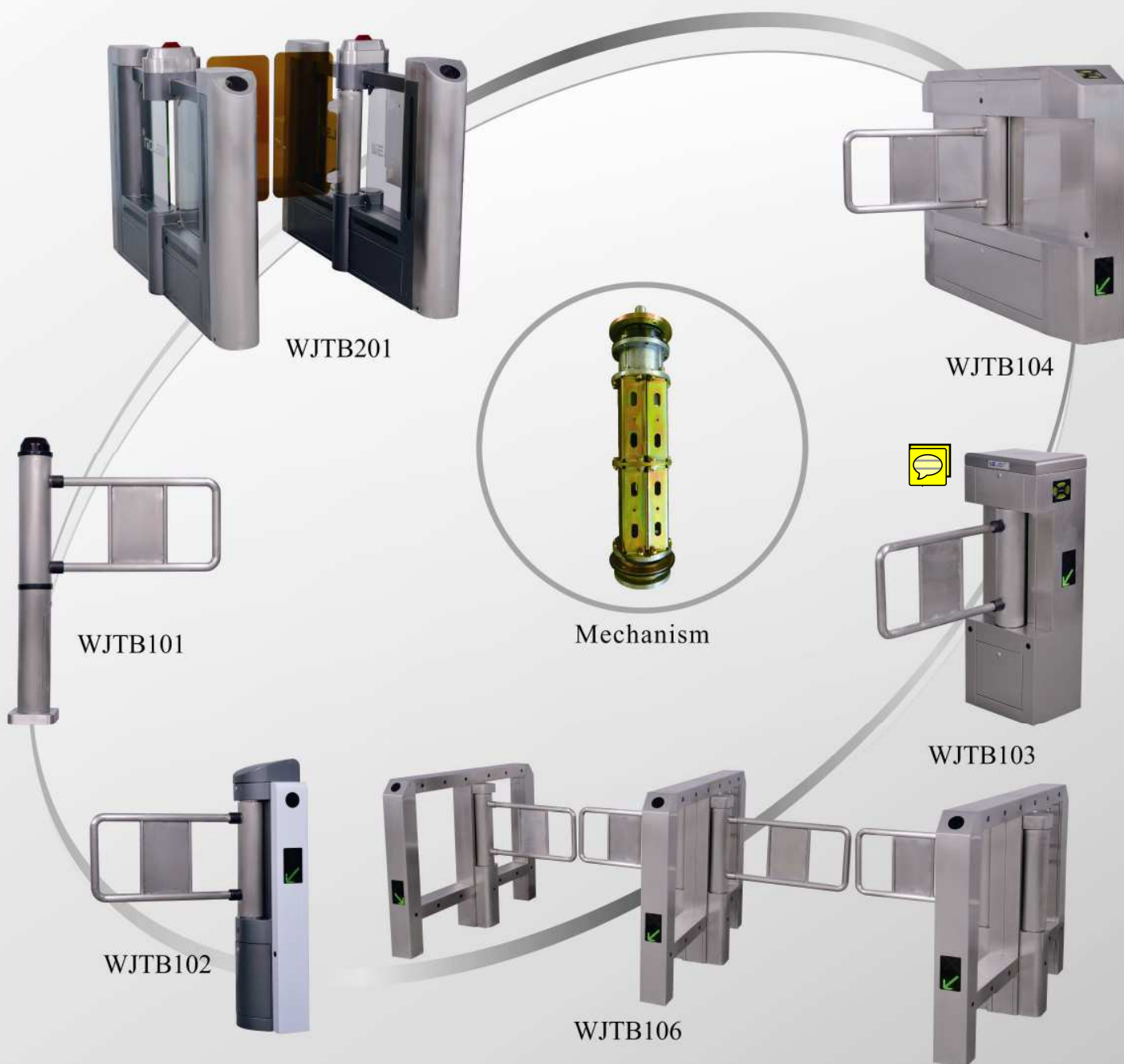


WEJOIN Swing Barrier

WEJOIN

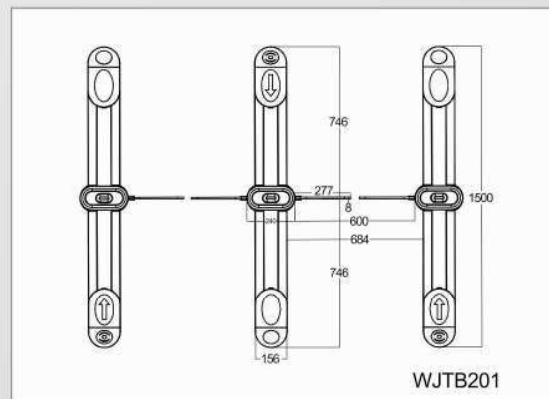
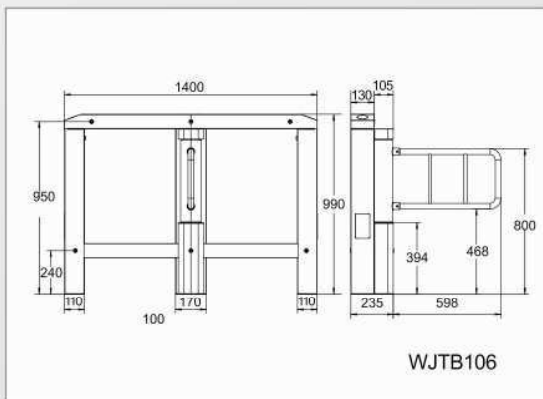
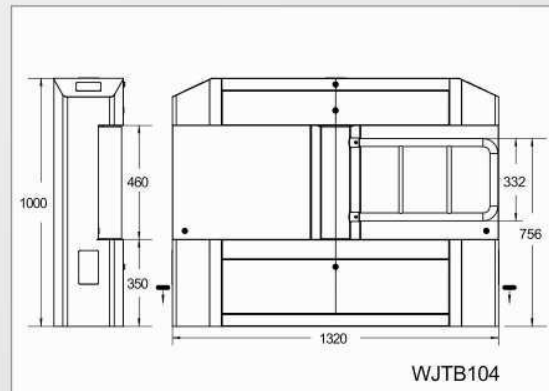
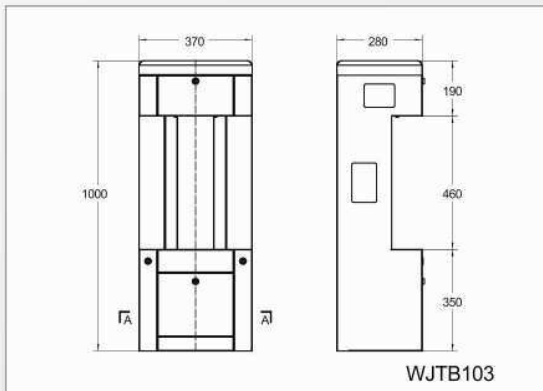
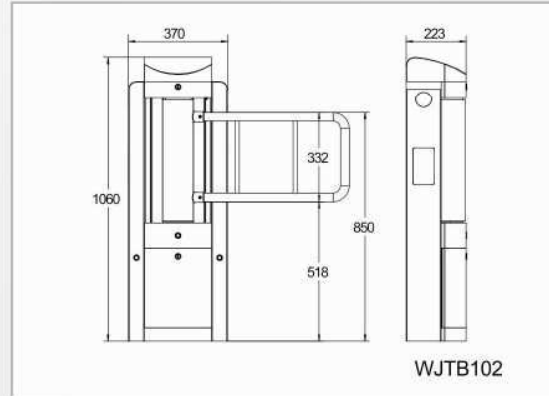
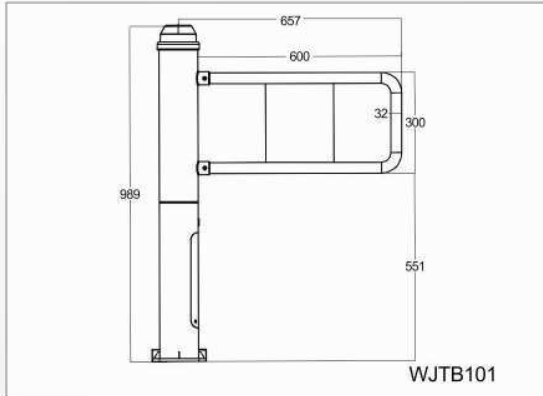
让我们一起努力

www.wejoin.com.cn



A reliable safeguard for effective passenger access

Dimension



Functions & Features

1. A compact electro-mechanical design with unique drive and a self-lock mechanism
2. Automatic detection for malfunctions
3. Input interface available for dry contact and switch signal connection
4. Adjustable auto-delay closing
5. Infrared photocells for safety access
6. Alarm for unauthorized access and no access against passenger flow
7. Auto-closing when power on
8. Free access when power off
9. Adjustable access directions
10. Emergency interface available
11. Traffic light indicating passenger access

Technical Data

1. Mechanism dimension: 108*450mm
2. Arm length: 500~900mm
3. Motor material: steel and aluminum alloy
4. Voltage: 220V±15% or 110V±15%
5. Motor type: DC 24V, brush
6. Dry contact interface
7. Flow speed: 30~40 people per minute
8. Opening time: 1s
9. First-time power on for the full recovery : 3s
10. Protection grade: IP32
11. Working environment: indoor and outdoors with shelter, -25°C~+50°C,
12. Relative humidity ≤90%