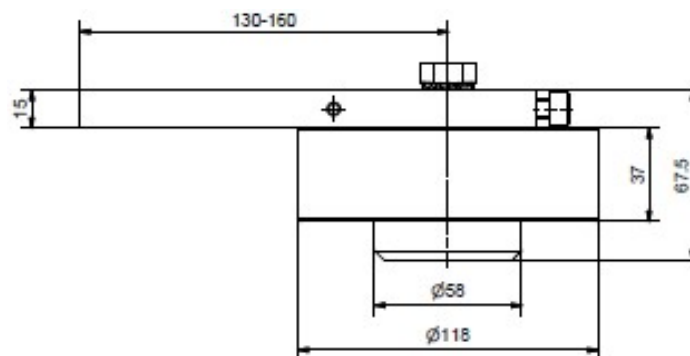
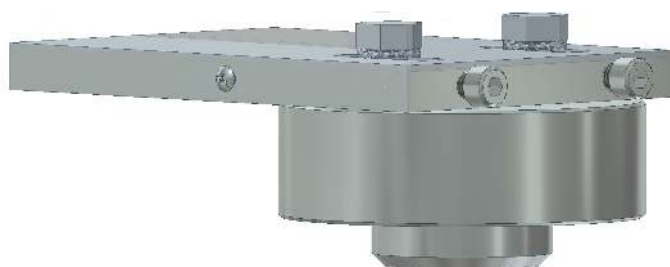


Art. 895/S

Galvanized adjustable steel with straight fixing plate to be welded. Upper part.



Technical features:

The pintle is built by assembling:

- n°1 galvanized plate made from flat rolled Fe37 15x120
- n°1 galvanized Ø120 cup made from 11SMn30 steel
- n°1 galvanized Ø58 pin turned from S235JR steel
- n°1 nylon double-shielded ball bearing 6206 made from 100Cr6 steel
- n°1 steel cover thickness 10/10
- n°2 galvanized screws UNI 5931, M8x50
- n°2 galvanized bolt screws UNI 5739, M12x30
- n°2 Ø12 washers UNI 8842
- n°1 galvanized screw UNI 7687 M5x10

| | | WIDTH OF LEAF (mm) | | | | | | | | | |
|---------------------|------|--------------------|------|------|------|------|------|------|------|------|------|
| | | 1500 | 2000 | 2500 | 3000 | 3500 | 4000 | 4500 | 5000 | 5500 | 6000 |
| HEIGHT OF LEAF (mm) | 1000 | 1100 | 800 | 650 | 550 | 450 | 400 | 350 | 320 | 300 | 270 |
| | 1500 | 1500 | 1200 | 960 | 800 | 680 | 600 | 500 | 480 | 430 | 400 |
| | 2000 | 1600 | 1300 | 1200 | 1100 | 900 | 800 | 710 | 650 | 580 | 530 |
| | 2500 | 1700 | 1600 | 1300 | 1200 | 1100 | 1000 | 880 | 800 | 720 | 650 |
| | 3000 | 1800 | 1700 | 1600 | 1300 | 1250 | 1100 | 1050 | 950 | 870 | 800 |

- Load capacity per pair of pintles (coupled with art.170/I) and in relation to size of gate with weight in the central part of the opening.

The quality management system of NOVA-FERR srl complies with the requirements of the standard for quality management systems.



Dimensions:

| Art. | weight (kg) | Packg | Pack |
|-------|-------------|-------|------|
| 170/S | 1,290 | 2 | 6 |

Description:

This pintle is suited for any swing gate with one leaf or two leaves and can be used on gates supporting small-medium load capacity.

It is endowed with a black plastic cover to preserve from weathering.

To be mounted on the bottom part of the gate.

The quality management system of NOVA-FERR srl complies with the requirements of the standard for quality management systems.

